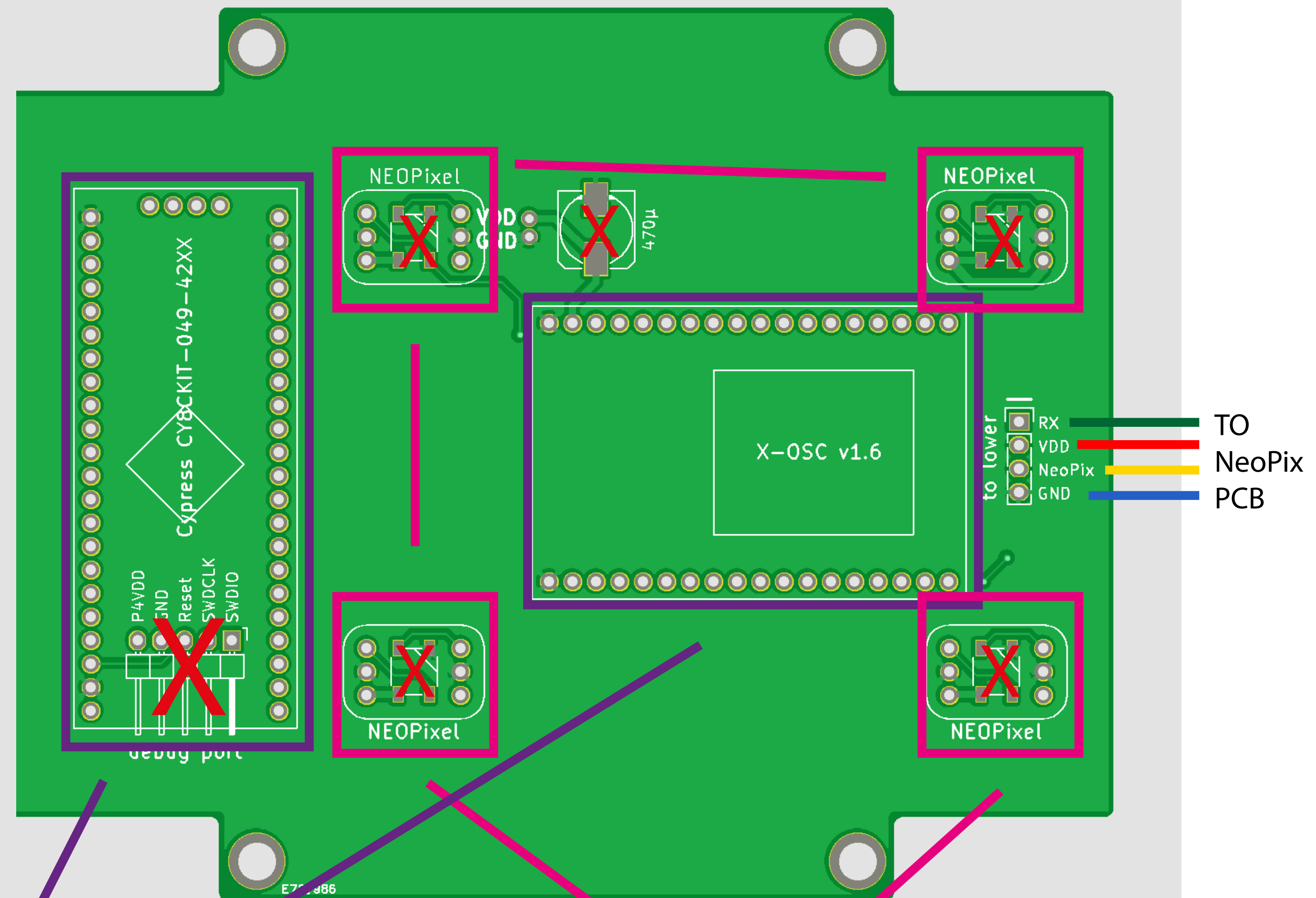
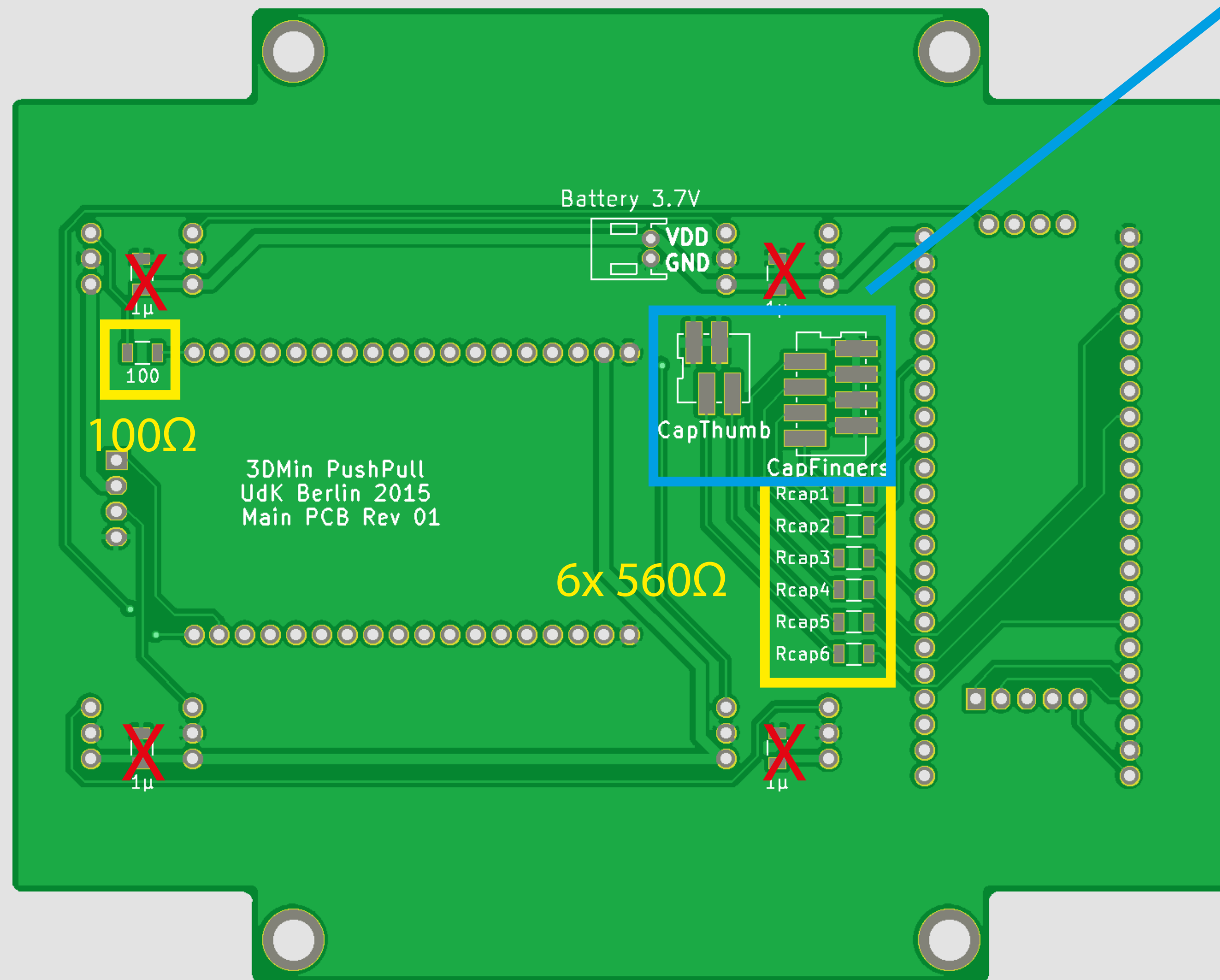


PushPull Main PCB parts placement

take care for right placement



X not needed

male pinheader

female pinheader